

结构特点 Design features

- 内装、单端面、单弹簧、平衡型、拨叉传动结构，任意旋向，结构紧凑，安装方便。
- Internally mounted, single face, single spring, balanced, by means of shifting fork drive, any rotation direction, construction, it can be mounted conveniently.

适用范围 Operating limits

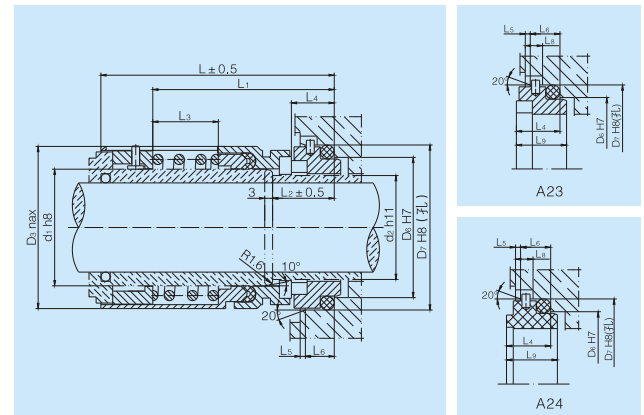
- 压力 Pressure: $\leq 4.0\text{MPa}$
- 温度 Temperature: $-20\sim 200^\circ\text{C}$
- 线速度 Speeds: $\leq 23\text{m/sec}$
- 粘度 Viscosity: $\leq 1.0\text{Pa}\cdot\text{s}(1000\text{cp})$ 软对硬(Soft VS Hard)
 $\leq 3.5\text{Pa}\cdot\text{s}(3500\text{cp})$ 硬对硬(Hard VS Hard)

材料 Materials(to DIN24960)

- 旋转环 Rotary Ring: U12、U22
- 静止环 Stationary Ring: A、B、U12、U22
- 辅助密封 Auxiliary Seal: P、V
- 弹簧及其他结构件材料 Spring and Other Parts: F、G

介质 Medium

油、油渣、水、有机溶剂及其它弱腐蚀性溶液。
Oil, water, organic solvent and other weak corrosive fluid, etc.



型号Model	代号	d1	d2	D3	D6	D7	L	L1	L2	L3	L4	L5	L6	L8	L9
CN UK-1.750	U1750	44.5	39.6	62.0	52.5	62.0	89.0	69.0	23.5	25.0	16.3	2.0	10.5	6.0	18.8
CN UK-2.125	U2125	54.0	47.6	76.0	64.0	76.1	109.5	92.0	27.0	35.0	19.0	2.5	12.5	7.5	20.5
CN UK-2.250	U2250	57.0	52.3	75.0	64.0	73.0	89.0	71.0	27.0	27.0	19.0	2.5	12.5	7.5	20.5
CN UK-2.500	U2500	63.5	57.1	85.5	70.5	82.6	119.0	95.0	28.0	45.0	19.0	2.5	12.5	7.5	20.5
CN UK-2.875	UK2875	73.0	66.6	95.0	80.0	92.0	115.0	93.0	28.0	32.0	22.5	3.0	14.0	8.5	23.5
CN UK-3.250	UK3250	82.6	76.2	104.6	91.4	101.4	116.0	93.0	32.5	32.0	22.5	3.0	14.0	8.5	23.5
CN UK-3.375	UK3375	85.7	79.3	112.4	100.3	112.7	123.5	101.7	32.5	37.0	22.5	3.0	14.0	8.5	23.5
CN UK-3.625	UK3625	92.0	85.7	114.5	102.0	114.0	117.0	97.5	32.5	36.5	22.5	3.0	14.0	8.5	23.5
CN UK-4.000	UK4000	102.0	95.2	125.4	107.7	121.0	123.1	102.0	32.5	36.5	22.5	3.0	14.0	8.5	23.5